

FAN-WHEEL model

CPR 076/450

Simple staple suction centrifugal fan



Ventilation



Suction



Smoke extraction



Heating



Air conditioning



Professional cooking



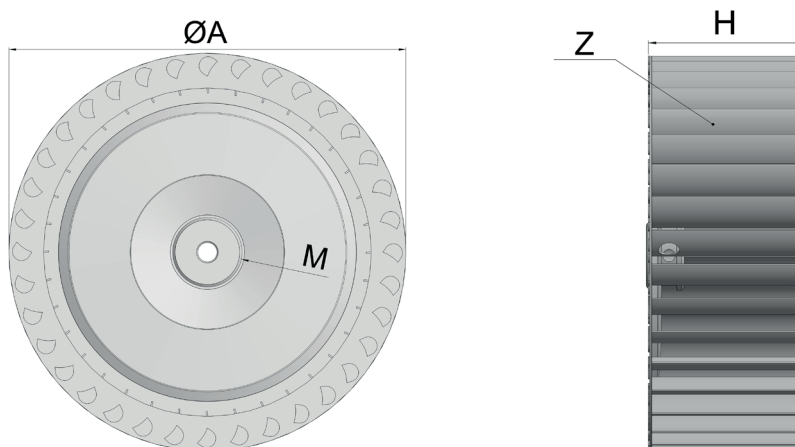
Home appliance



Special uses

The innovative fan-wheel CPR 076/450

The high-performance CPR fan-wheel is an essential accessory for various sectors such as ventilation, suction, smoke extraction, heating, air conditioning, professional cooking, household appliances, and various specialized uses. Equipped with advanced technology and high-quality materials, this fan-wheel ensures powerful and silent air circulation. With its versatility and reliability, the fan-wheel provides an effective solution for controlling the application environment. Thanks to its compact design and easy installation, it is suitable for a wide range of industrial applications.



Rotational direction



	Fan Material	FE-AI-AISI
Ø	Diameter	Ø76 ÷ 450
H	Height	22 ÷ 160
Z	No. of blades	31 ÷ 42
	Hub Type	Chamfered-flanged
	Hub Material	FE-AI-AISI
	Balancing	G6.3 ISO 1940



Instruction Manual
Rev. 21.11.2023