

FAN-WHEEL model

CPRR 145/215

Bi-directional fan, staple blades



Professional cooking



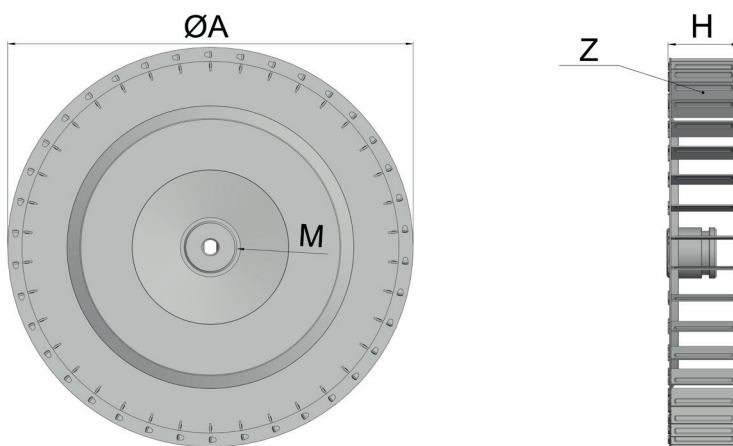
Home appliance



Special uses






The innovative fan-wheel CPRR 145/215

The high-performance CPRR fan-wheel is an essential accessory for various sectors such as professional cooking, household appliances, and various specialized uses. Equipped with advanced technology and high-quality materials, this fan-wheel ensures powerful and silent air circulation. With its versatility and reliability, the fan-wheel provides an effective solution for controlling the application environment. Thanks to its compact design and easy installation, it is suitable for a wide range of industrial applications.



Rotational direction



	Fan Material	AISI304-316-430
	Diameter	Ø145 ÷ 215
H	Height	40 ÷ 61
Z	No. of blades	28 ÷ 38
	Hub Type	Chamfered
	Hub Material	AISI303-304
	Balancing	G6.3 ISO 1940



Instruction Manual
Rev. 21.11.2023