

FAN-WHEEL model

**VRTK 160/400 airtek 1.0** *Patented*

Patented high-efficiency bi-directional fan, electro-tipped blades

Professional  
cooking

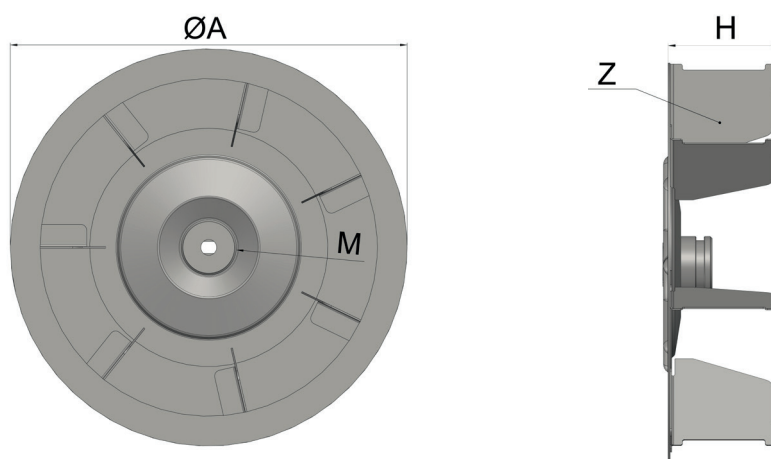
Home appliance



Special uses

**The innovative patented fan-wheel Airtek 1.0**

The high-performance Airtek 1.0 fan-wheel is an essential accessory for various sectors such as professional cooking, household appliances and various specialized uses. Equipped with advanced technology and high-quality materials, this fan-wheel ensures powerful and silent air circulation. With its versatility and reliability, the fan-wheel provides an effective solution for controlling the application environment. Thanks to its compact design and easy installation, it is suitable for a wide range of industrial applications.



Rotational direction



	<b>Fan Material</b>	AISI304-316-430
$\emptyset$	<b>Diameter</b>	$\emptyset 160 \div 400$
H	<b>Height</b>	$30 \div 127$
Z	<b>No. of blades</b>	$6 \div 8$
	<b>Hub Type</b>	Single-double chamfering + MIG welding
	<b>Hub Material</b>	AISI 303-304-316
	<b>Balancing</b>	G6.3 ISO 1961

Instruction Manual  
Rev. 21.11.2023airte**k**efficiency

**ma.ti.ka.**<sup>®</sup>
Our **vision**,  
your **evolution**.Made in Italy  


matikasrl.it

