

FAN-WHEEL model

# VRR 160/500

Inverted-blade centrifugal fan, electrified blades



Professional cooking



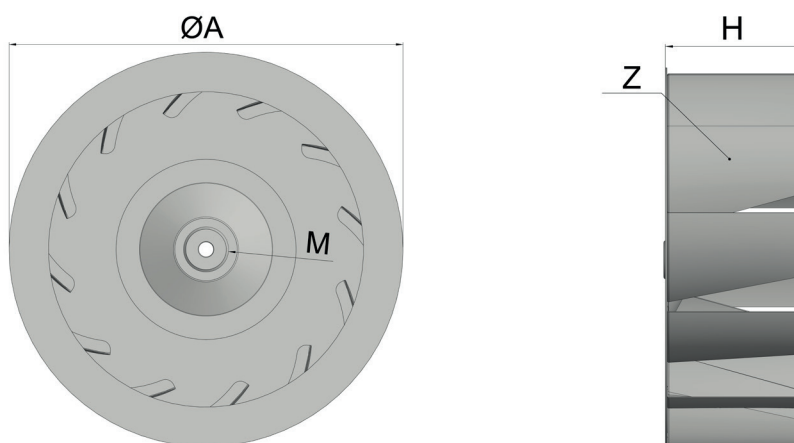
Home appliance



Special uses

## The innovative fan-wheel VRR 160/500

The high-performance VRR fan-wheel is an essential accessory for various sectors such as professional cooking, household appliances and various specialized uses. Equipped with advanced technology and high-quality materials, this fan-wheel ensures powerful and silent air circulation. With its versatility and reliability, the fan-wheel provides an effective solution for controlling the application environment. Thanks to its compact design and easy installation, it is suitable for a wide range of industrial applications.



Rotational direction



	<b>Fan Material</b>	AISI304-316-430
<b>Ø</b>	<b>Diameter</b>	Ø160 ÷ 500
<b>H</b>	<b>Height</b>	40 ÷ 200
<b>Z</b>	<b>No. of blades</b>	6 ÷ 12
	<b>Hub Type</b>	Single-double chamfering + MIG welding
	<b>Hub Material</b>	AISI 303-304-316
	<b>Balancing</b>	G6.3 ISO 1958



Instruction Manual  
Rev. 21.11.2023